



BONDLINE
STATIC CONTROL SOLUTIONS
www.bondline.com.au
info@bondline.com.au
(02) 9757 3590



ON
AIR



ProBoom® Ultima™ Low Profile Mic Booms

The NEW Ultima™ LP Mic Boom brings the quality & reliability that all O.C. White® Mic Booms are known for, but in an exciting new modular integration series.

New low profile, table top-hugging design, allows for the talent to perform without facial obstruction from traditional microphone and arms. Let your talent be the focus!

Less than 5" tall when completely horizontal



ULP-MB

Ultima™ Low Profile Mic Boom
With Machined Table Bushing



Holds Even the Heaviest Mics
Up to 6lbs!

ULP-12R

Ultima™ Low Profile Mic Boom
With 12" Machined Riser



- Supports 0-6 lb. (2.7kg) with ease
- 5/8"-27 mic stud swivels 180° in all directions
- Excellent for both tv-recorded broadcast and traditional
- Includes 12" fixed horizontal arm for increased reach
- Additional 12" fixed horizontal arms available
- Quiet, precision holding power at its finest
- Internal wire management provides for a clean install



Are you integrating live TV recording into your studio? Your talent should be the focal point... not your boom.

Do you seat guests 'in the round'?
Choose our Ultima™ 3-Arm Round Table Special!



ULP-3RT
Ultima™ 3-Arm
Round Table Special

The specialized counterbalance design allows for very quick adjustments to the holding force, so you can make the microphone move with only a finger's touch. No drift, no wander, no problem. Precision holding power at its finest!

Specialized Locking Joint Features
Dual-Axis 180° Control



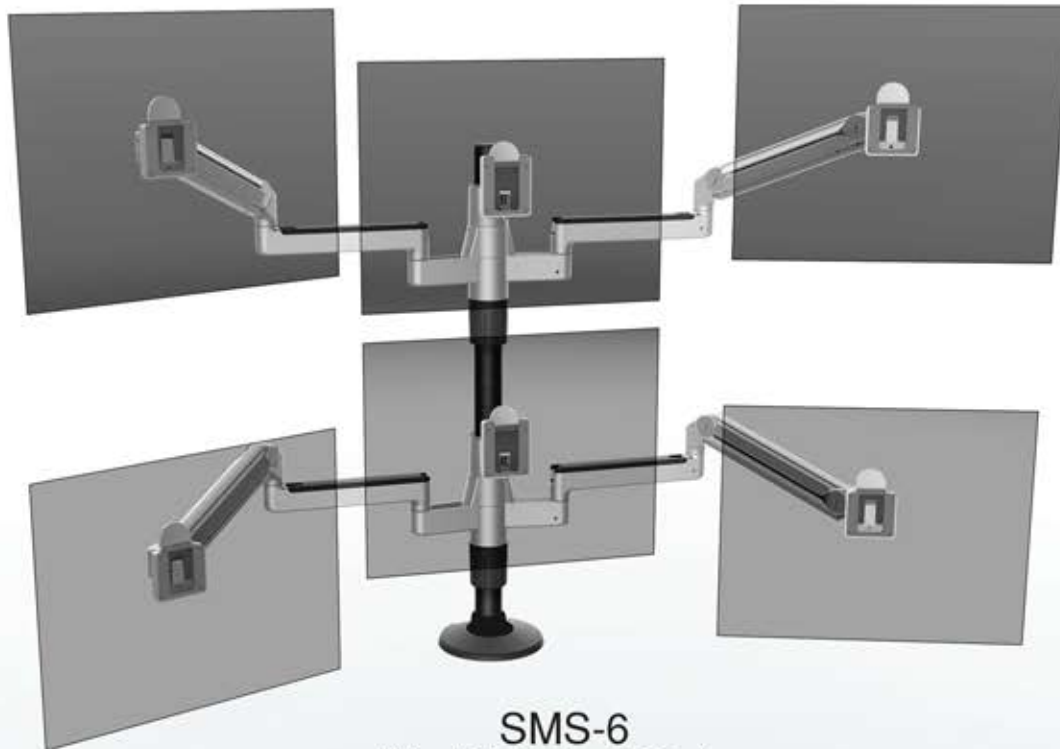
Integrated wire management channeling
in both adjustable and fixed armature



ULP-12MA
Ultima™ Low Profile Mic Boom
With 12" Modular Clamp/Bolt Through Riser

Over 10" of vertical adjustment!

ProBoom® Ultima™ SMS Scalable Monitor System



SMS-6
Ultima™ Six Monitor SMS Package

With unprecedented flexibility and configurability, our Ultima™ SMS monitor system is a perfect companion to our Ultima™ LP series for studio integration. It can support up to six- 20lb. (9kg) flat panel monitors simultaneously, as well as offer a common mounting platform for our Ultima™ LP Mic Boom. This 'all in one' design helps streamline the installation, and offers a cleaner studio layout.

We offer the Ultima™ SMS as both complete packages, and as parts à la carte. All of our standard packages start with our 12" (30.5cm) Vertical Riser (with modular table clamp/bolt through design). This allows for edge clamping, through-hole mounting, or solid bolting through any work surface with ease. All tools are included standard for mounting option adjustment.

The Ultima™ SMS product line features the same styling motifs as our Ultima™ LP Mic Boom line, which makes for a perfect pairing for whole studio installation. This integrated approach creates a more cohesive and aesthetically pleasing in-studio experience.



Ultima™ SMS
Future-proof your studio today



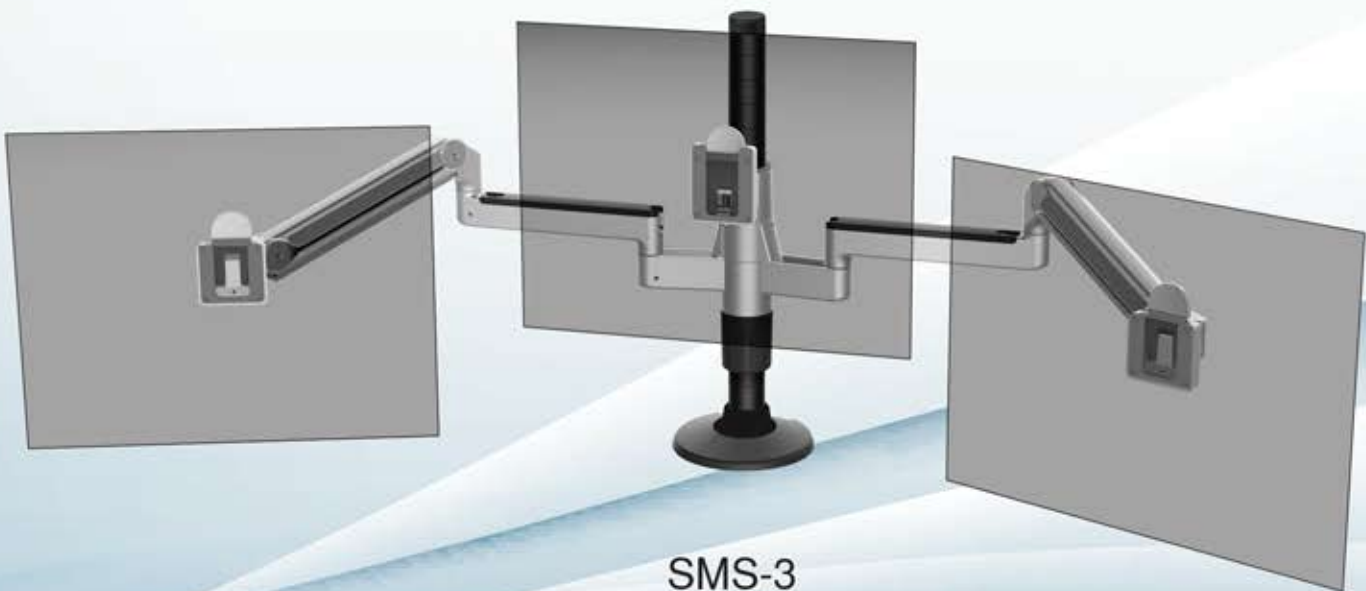
Your Custom is Our Standard



SMS-2

Ultima™ Dual Monitor SMS Package
(Shown with an Ultima™ LP Mic Boom and Accessories)

- Supports 90%+ of monitors in use today (up to 20 pounds)
- Interchangeable mounting options available including Universal Slatwall
- Integrated cable management system in all arms, as well as wire guide clips for vertical post
- Supports up to (6) Monitors at once
- Able to mount Ultima™ LP Mic Boom to SMS for All-in-One work station
- System can grow with your needs – modular additions make revisions a snap!
- Keyboard tray and Laptop holder accessories also available



SMS-3

Ultima™ Triple Monitor SMS Package

ProBoom® Elite

The Industry Standard

We developed our first ProBoom® almost 50 years ago specifically for Radio Corporation of America (RCA). Who knew then we would be setting the standard by which all others are measured? Timeless design and performance never goes out of style.

Now in 2015, our ProBoom® is more popular than ever! We have merged the best aspects of our standard Deluxe line, with our newest features found in the Elite series to bring you the best of both worlds!

Standard Features

- Choice of (3) Arm Lengths
 - 29" (73.6cm)
 - 45" (114.3cm)
 - 46" (116.8cm) 3 Arm Extended
- 12" Riser Standard on ALL Models (many alternate options available)
- Exclusive Removable Wire Channel Top
- New Finish Options!
 - Beige & Chrome
 - Black & Chrome
 - Silver & Chrome
 - Black & Gold
- 5/8"-27 Threaded Stud
- Sleek 4-bar arm design & 15° Greater Rear Adjustment



61900-B
ProBoom® Elite Mic Boom
With 12" Riser

**Patented Wire Channel for
Quick & Easy XLR Cable Install**



14199-C-B
ProBoom® Elite 45" Reach
Mic Boom With Table Edge Clamp



ProBoom® Junior Lightweight Mic Boom



14198-R
ProBoom® Junior Mic Boom
With 12" Riser

The perfect armature for today's lightweight podcast microphones, as well as other shotgun-style units. Our ProBoom® Junior fills the niche in an ever expanding market segment.

Whether you are a podcaster, hobbyist, ham radio operator, or anything in between... you deserve the best without breaking the bank!

Standard Features

- Choice of (2) Arm Lengths
 - 25 " (63.5cm)
 - 45" (114.3cm)
- 12" Riser Standard on ALL Models (many alternate options available)
- Offered in Choice of Beige & Chrome or Black & Chrome
- 5/8"-27 Threaded Stud with Handle
- Lightweight arm handles up to 1.25 lb microphones

Mounting Options for ProBoom® Models



11426



11427-B



11440-1B



14100-B



14111-B

