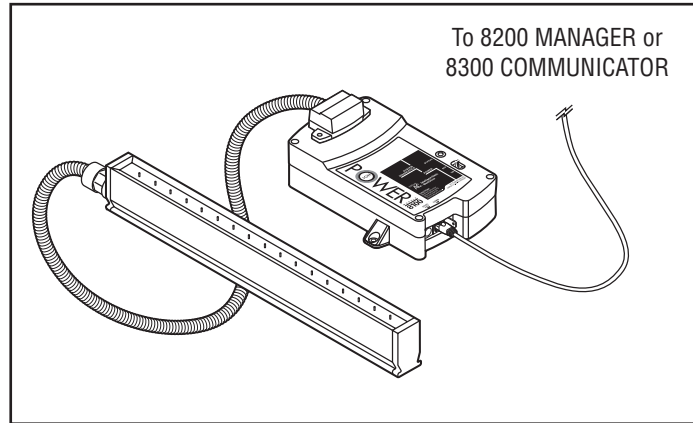


VIRTUAL AC™ 8000 Series Intelligent Static Neutralizers

The Virtual AC Intelligent Static Neutralizer employs a novel ionization technology for superior static neutralizing performance. The system simultaneously monitors several of the neutralizer's performance and diagnostic parameters. The system displays the critical information and alerts the operator when it is time to clean the bar or if there is a problem.

Virtual AC ION POWER Static Neutralizer consists of a 8100 POWER MODULE and one or more 8001iP or 8001KDT high-efficiency static neutralizing bars. Multiple ION POWER Neutralizer can be connected to the 8200 MANAGER Master controller via 8310 CONNECTOR serial switches. Also, individual Neutralizers can be connected to an industrial network with the 8300 COMMUNICATOR Fieldbus interface.

The modular design of Virtual AC Neutralizers allows users to upgrade and expand the system after the initial installation.



ION POWER Virtual AC Intelligent Static Neutralizer

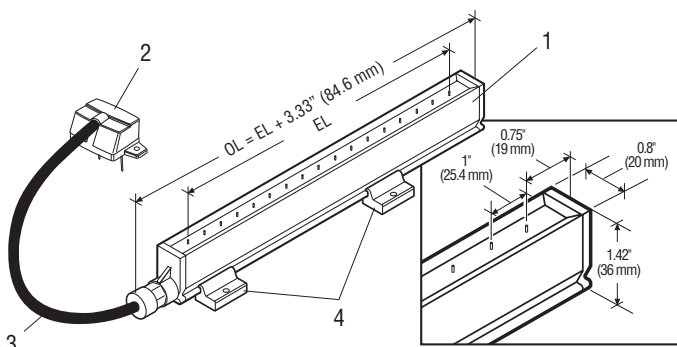
8 0 0 1 K D T S T A T I C N E U T R A L I Z I N G B A R

The economical, rugged and slim design of the 8001KDT neutralizing bar is ideally suited for single bar applications, installations where space requirements are tight and when machine designs are best accommodated with multiple bars connected through the Universal VAC power strip.

The body of the 8001KDT neutralizing bar is made of a fiber-reinforced polyester resin for extra rigidity. Ionizing electrodes in the 8001KDT neutralizing bar are spaced 1" (25.4 mm) apart and converge into a single row from each side of the bar. Ionizing electrodes are connected

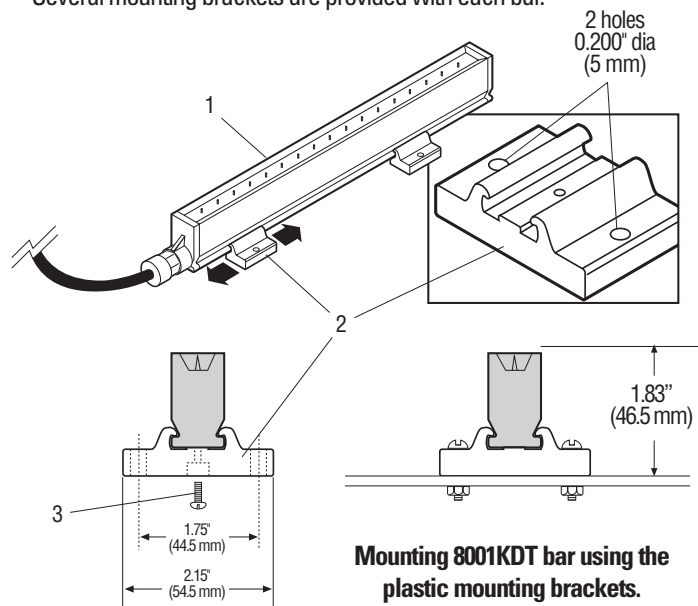
to the high voltage power source through resistors to ensure low current at the electrodes for safety. A fixed high voltage cable exits the bar at one end. A Universal VAC cable plug is attached to the end of the cable. Two grooves, one on each side of the bar body, extend for the length of the bar.

The 8001KDT neutralizing bars are mounted using special injection molded plastic or stainless steel brackets that slide along two slots which extend on each side of the bar profile the entire length of the bar. Several mounting brackets are provided with each bar.



Model 8001KDT static neutralizing bar.

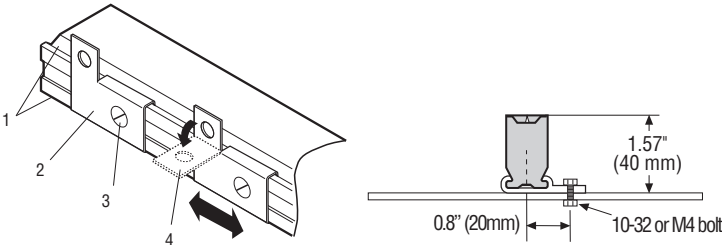
1 - bar body; 2 - cable plug; 3 - high voltage wires in a protective conduit; 4 - mounting brackets.



Mounting 8001KDT bar using the plastic mounting brackets.

1 - bar body; 2 - sliding bracket; 3 - 6-32 x 3/8" screw for fixing the mounting bracket in place.

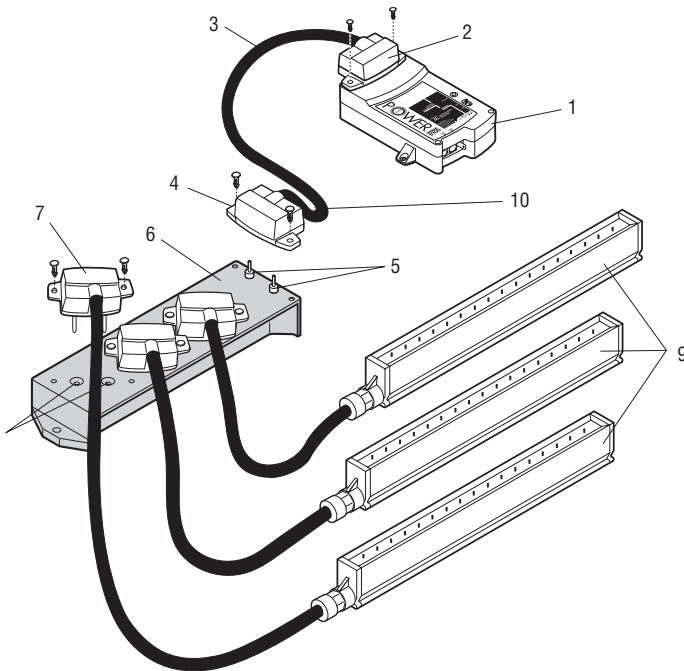
8 0 0 1 K D T S T A T I C N E U T R A L I Z I N G B A R



Mounting 8001KDT bar using the stainless steel mounting brackets.

1 - grooves on each side of the bar body; 2 - sliding bracket with mounting tab; 3 - set screw to fix the mounting bracket in place; 4 - bracket can be modified by bending the tab.

Up to three 8001KDT neutralizing bars can be connected to a single 8100 POWER MODULE using a Universal VAC power strip. The 8100 POWER MODULE is capable of powering up to 400' (10 meters) of 8001KDT neutralizing bars.



Universal VAC power strip for multi-bar installations with a single power supply.

1 - 8100 POWER MODULE; 2 - first cable plug of the extension cable; 3 - high voltage extension cable; 4 - second plug of the extension cable; 5 - input connector pins of the VAC power strip; 6 - VAC power strip; 7 - cable plug of the 8001KDT bar; 8 - output receptacles of the VAC power strip; 9 - 8001KDT static bars connected to the VAC power strip.

SPECIFICATIONS

Neutralizing Bar Model 8001KDT

Type	Shockless, nominal pin short-circuit current 80 μ A RMS
Operating voltage	10 kV peak
Ionizing electrode material	Tungsten
Ionizing pin spacing	1" (25.4 mm)
Maximum material speed	Neutralizes charged materials traveling over 2500 fpm (12.5 m/sec)
Maximum operating distance	8" (200 mm) for web span neutralization; 20" (500 mm) roll neutralization; Note: Actual distance depends on the application
Cable	8.3 ft. (2.5 m) integral cable in a protective plastic conduit with a Universal VAC cable plug; axial cable exit, cable bend radius 2" (50 mm)
Housing material	Fiberglass-reinforced polyester, UL flammability rating V-0
Ambient operating temperature	0°C to +50°C (32°F to 122°F)
Standard bar lengths (effective length)	5" (127 mm) min. to 139" (3530 mm) max. with 2" (51 mm) length increments
Certifications	CE
Virtual AC Power Strip	
Input-to-output ratio	1 input and 3 outputs
Input connection	Universal VAC pins
Output connection	Three sets of Universal VAC sockets
Rated voltage	9 kV
Dimensions	9" (228 mm) L x 3" (75 mm) W x 1.5" (38 mm) H
Weight	1.5 lb (600 g)
Certifications	UL, CUL listed; CE