



FMX-004

ELECTROSTATIC FIELDMETER

The FMX-004 fieldmeter is a compact electrostatic fieldmeter used for locating and measuring static charges. Its pocket size and three-button operation makes it convenient and easy to use.

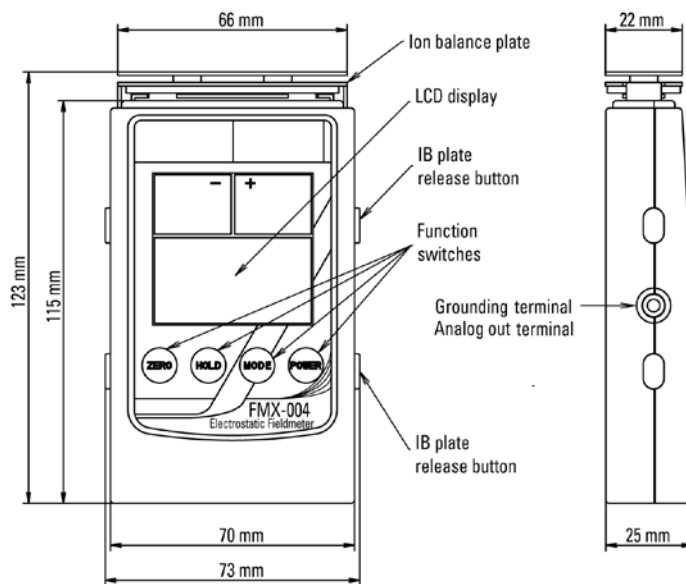
- Lightweight, compact design
- Range light assures accurate and repeatable measurements
- Automatic range switching up to ± 30 kV (30,000V)
- Digital and bar graph display with +/- indicators
- Automatic power off with inactivity

Specifications

Power	9V, 6F22Y manganese battery
Measurement	AUTO: 0 - ±1.49 kV (low range); ±1.0 kV to ±30.0 kV (hi range) HI Range: 0 - ±30.0 kV LOW Range: 0 - ±3.00 kV Ion Balance: 0 - ±300V
Distance	1"±1/64" (25 mm±0.5 mm); LEDs guide for correct distance
Response Time	Display updates less than 5 times per second
Accuracy	20 kV ±10 %
Analog Out	Response speed 40 ms
Controls	Push button POWER, HOLD, ZERO and MODE (Ion Balance operation)
Indicators	Bar graph - POSITIVE POLARITY VOLTAGE, red LCD; NEGATIVE POLARITY VOLTAGE, blue LCD; battery capacity and error display indicators
Audible Alarm	Beep: Power on, power on with auto off, over range, auto power off and continuous operation
Dimensions	4-7/8"L x 2-7/8"W x 1"D (123 x 73 x 25 mm)
Weight	6 oz (170g)

Ordering Information

4016228	FMX-004 Electrostatic Fieldmeter
5051787	Analog Output Cable and Bracket



Special Features

The FMX-004 measures both positive and negative polarity charges up to ±30 kV (30,000V) at a distance of 1". Results are simultaneously shown numerically and in bar graph format on the unique multi-colored display that also displays battery charge status. Power on/off, zero adjustment, Ion Balance (MODE) and hold are all push button operation. The hold button allows the display to retain the static charge reading. This is especially useful where display is difficult to see during measurement.

Two LED guide lights help position the fieldmeter at the right distance from a charged test object. The conductive case and ground snap facilitate grounding for accurate measurement. The circuitry of the FMX-004 has been designed to make measurements in areas using air ionization.

Analog Output

The FMX-004 has Analog output available. There is also an optional cable and bracket kit offered. The bracket enables the fieldmeter to be mounted in order to collect continuous reading.

The Analog feature allows you to extract and monitor the data you are reading from the FMX-004. The Analog signal can be used with a PLC, data acquisition card, data logger, chart reader, etc.



Maintenance

As with most measuring devices, calibration is necessary for optimal performance. We recommend recalibrating the FMX-004 once a year. Simco-Ion offers recalibration services that includes a certificate with or without data.

SIMCO IONTM
An ITW Company

P/N 5200782 Rev. D
© 2014 Simco-Ion - All rights reserved.
Specifications are subject to change without notice.

BONDLINE
STATIC CONTROL SOLUTIONS

www.bondline.com.au
info@bondline.com.au
(02) 9757 3590