



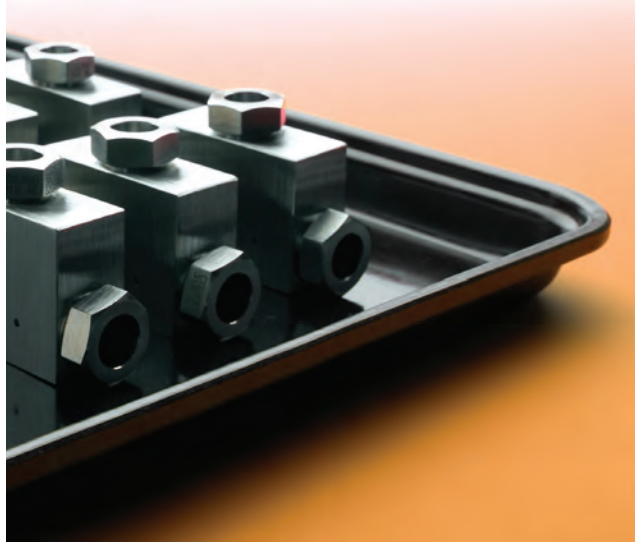
# Material Handling Products for Industrial and Process Applications



*The material matters in material handling*

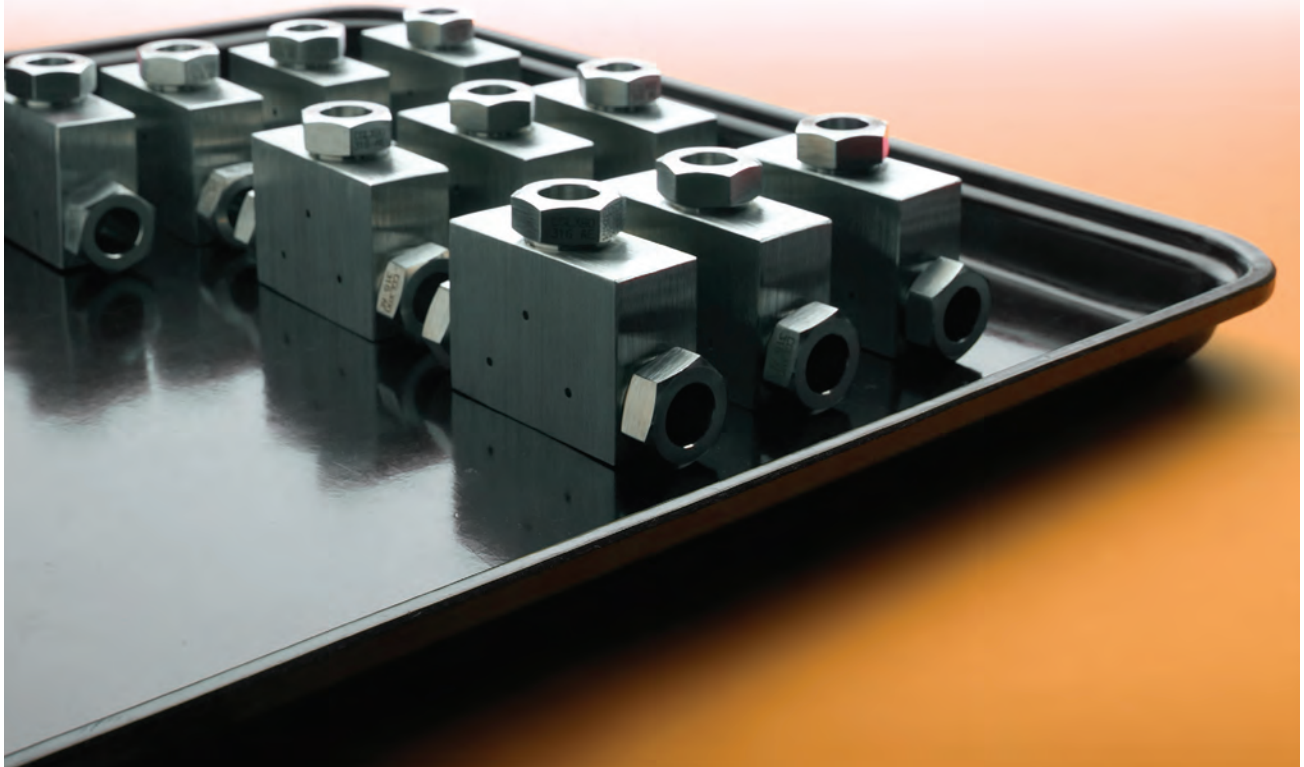
*The material matters in material handling*

Bondline Static Control Solutions ~ [www.bondline.com.au](http://www.bondline.com.au) ~ [info@bondline.com.au](mailto:info@bondline.com.au) ~ (02) 9757 3590



## Contents

|   |       |
|---|-------|
| Nest and Stack Containers.....                | 4-5   |
| Stacking Containers.....                      | 6-7   |
| Nesting Containers .....                      | 8-9   |
| Wash Boxes .....                              | 10-11 |
| Conveyor and Assembly Trays.....              | 12-13 |
| Ventilation Trays .....                       | 14    |
| Hoppers .....                                 | 15    |
| Customized Trays and Fabrication Options..... | 16    |

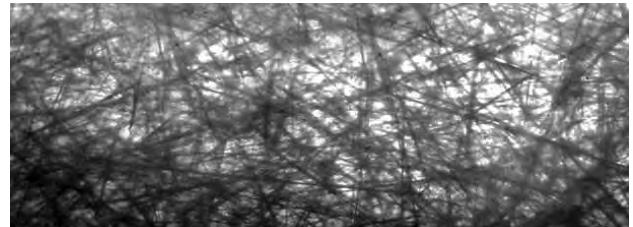


MFG Tray has more than 50 years of experience in designing and molding an extensive line of material handling products for an array of industries. The company is continually developing new products to meet specific handling, storing and processing requirements.

# The material matters in material handling.

MFG Tray Toteline™ products are molded from high-strength, glass-reinforced composites. The fiber component provides strength and dimensional stability, while the plastic resin provides specific chemical, electrical and thermal properties. The outstanding physical properties for which these products are known are a result of the synergy of resin matrix and glass reinforcement. Most MFG Tray products are compression molded from our own sheet-molding compound (SMC), a process that is ideal for producing medium to high volumes of high-strength, complex parts.

Unlike plastic trays and containers, composite products are dimensionally stable and will not bend or sag under loads. And unlike metal, they will not dent, corrode or bend. Thanks to their strength, composite products may be readily stacked to save space and streamline handling and product storage. The durability that results from composite construction ensures years of dependable performance.



Fibers in MFG Tray products are multidirectional or random for optimal tensile and torsion strength of the finished part. Fiber lengths vary from 1" to 2". The composites can contain up to 35 percent of randomly oriented fibers by weight.

## Exceptional performance and durability

Thanks to their composite design, MFG Tray Toteline™ products offer substantial strength and weight-carrying capacity resulting in exceptional stacking capability under heavy loads. Thanks to their dimensional stability, they are also ideal for machine integration and robotic applications, and can be used continuously in temperatures ranging from -60° to 250° F (-51° to 121° C), and intermittently in temperatures 300° F and higher. Glass-reinforced thermosets increase in impact strength as temperatures decrease, and MFG products have performed well in temperatures as low as -190° F. Standard formulations are impervious to radiation, cutting oils, detergents, mild acids and alkaline solutions ranging from 3.0 to 10.0 pH. Models are available that may be used in chemical solutions from 3.0 to 12.0 pH. The standard formulation is approved for UL 94 HB flammability rating.

## Variety of configurations and accessories

The MFG Tray material handling line is comprised of over 300 different containers for general and specific processing, conveying, transporting and storing requirements. In addition, MFG Tray offers modifications such as handholds, drain holes, drop handles, grommets, casters and dollies to meet specific application needs. Wire-rim reinforcement is available on certain products for added dimensional stability.



**Efficient storage and handling with outstanding durability.** MFG Tray containers are available in a variety of sizes and designs to readily accommodate an array of end products, as well as conveyor, roller and storage rack configurations. Several units portrayed here have been in service for 20 years.



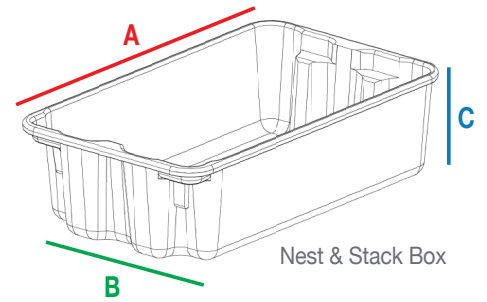
**Space-saving nest and stack design.** MFG Tray nest and stack containers are readily integrated into work areas helping to maintain organization and eliminate clutter.



**MOLDED FIBER GLASS TRAY**  
PH 814 683.4500 or 800 458.6050  
FX 814 683.4504 [www.mfgtray.com](http://www.mfgtray.com)

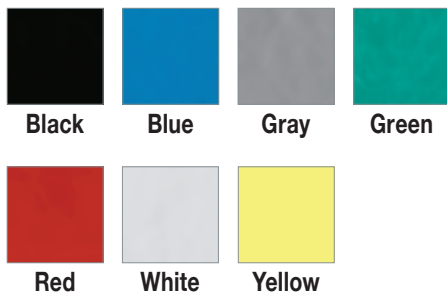
# Toteline™ Nest and Stack Containers 780 Series

- Nest and stack design saves valuable space: stack when full, rotate 180 degrees and nest when empty
- Lids are available to protect contents
- Optional dollies simplify transport
- Containers can be stacked on lids



| Product Name                      | Top Outside (inches) |        |        | Bottom Inside (inches) |        |        | Model No. |
|-----------------------------------|----------------------|--------|--------|------------------------|--------|--------|-----------|
|                                   | A                    | B      | C      | A                      | B      | C      |           |
| Nest & Stack Box                  | 42 1/2               | 20     | 14 1/4 | 35 7/8                 | 17 3/8 | 14 1/8 | 780008    |
| Nest & Stack Box                  | 42 1/2               | 20     | 7 1/2  | 35 3/4                 | 17     | 7 1/4  | 780108    |
| Lid for 780008 and 780108         | 42 1/2               | 20     |        |                        |        |        | 780118    |
| Nest & Stack Box                  | 17 7/8               | 10 5/8 | 5      | 16 1/2                 | 9 1/2  | 4 7/8  | 780208    |
| Lid for 780208                    | 17 7/8               | 10 5/8 |        |                        |        |        | 780218    |
| Dolly with 3" dia. swivel casters |                      |        |        |                        |        |        | 780238    |
| Nest & Stack Box                  | 19 3/4               | 12 1/2 | 6      | 18 3/8                 | 11 3/8 | 5 7/8  | 780308    |
| Lid for 780308                    | 19 3/4               | 12 1/2 |        |                        |        |        | 780318    |
| Dolly with 3" dia. swivel casters |                      |        |        |                        |        |        | 780338    |
| Nest & Stack Box                  | 20 1/2               | 12 7/8 | 8      | 16 3/8                 | 11     | 7 7/8  | 780408    |
| Lid for 780408                    | 20 1/2               | 12 7/8 |        |                        |        |        | 780418    |
| Dolly with 3" dia. swivel casters |                      |        |        |                        |        |        | 780438    |
| Nest & Stack Box                  | 24 1/4               | 14 3/4 | 8      | 19 3/4                 | 12 3/4 | 7 7/8  | 780508    |
| Lid for 780508                    | 24 1/4               | 14 3/4 |        |                        |        |        | 780518    |
| Dolly with 3" dia. swivel casters |                      |        |        |                        |        |        | 780538    |
| Nest & Stack Box                  | 25 1/4               | 18     | 10     | 21                     | 16     | 9 7/8  | 780608    |
| Lid for 780608                    | 25 1/4               | 18     |        |                        |        |        | 780618    |
| Dolly with 3" dia. swivel casters |                      |        |        |                        |        |        | 780638    |
| Nest & Stack Box                  | 27 1/2               | 20     | 14 1/8 | 24 7/8                 | 17 3/8 | 13 1/8 | 780708    |
| Lid for 780708                    | 27 1/2               | 20     |        |                        |        |        | 780718    |
| Dolly with 3" dia. swivel casters |                      |        |        |                        |        |        | 780738    |
| Nest & Stack Box                  | 25 1/4               | 18     | 6      | 21                     | 16     | 5 3/4  | 780808    |

**Standard Colors: Black, Blue, Gray, Green, Red, White, Yellow**



# Nest and Stack Containers Other Models



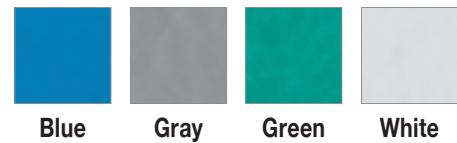
Model No. 705411 with lid



Dolly  
Model No. 705431

| Product Name                      | Top Outside (inches) |        |        | Bottom Inside (inches) |        |        | Model No. |
|-----------------------------------|----------------------|--------|--------|------------------------|--------|--------|-----------|
|                                   | A                    | B      | C      | A                      | B      | C      |           |
| Nest & Stack Box                  | 26                   | 21     | 12     | 23 7/8                 | 18 7/8 | 11 7/8 | 701002    |
| Nest & Stack Box                  | 19 5/8               | 12 5/8 | 8      | 16 3/4                 | 8 3/8  | 7 7/8  | 702008    |
| Lid for 702008                    | 19 5/8               | 12 5/8 |        |                        |        |        | 702118    |
| Nest & Stack Box                  | 24                   | 20     | 12 3/4 | 20 1/2                 | 14 1/8 | 12 3/4 | 703008    |
| Nest & Stack Box                  | 21 1/8               | 15 5/8 | 6      | 19 1/4                 | 13 5/8 | 5 7/8  | 705108    |
| Nest & Stack Box                  | 24                   | 14 3/8 | 7 3/4  | 21 5/8                 | 11 5/8 | 7 5/8  | 705208    |
| Lid for 705208                    | 24                   | 14 3/8 |        |                        |        |        | 705211    |
| Dolly with 3" dia. swivel casters |                      |        |        |                        |        |        | 705231    |
| Nest & Stack Box                  | 17 7/8               | 11 1/4 | 6      | 15 5/8                 | 8 5/8  | 5 7/8  | 705308    |
| Nest & Stack Box                  | 23 1/2               | 16 1/8 | 10 1/4 | 20 7/8                 | 12 7/8 | 10 1/4 | 705408    |
| Lid for 705408                    | 23 1/2               | 16 1/8 |        |                        |        |        | 705411    |
| Dolly with 3" dia. swivel casters |                      |        |        |                        |        |        | 705431    |
| Nest & Stack Box                  | 19 1/2               | 12 1/2 | 6      | 16 7/8                 | 9 1/2  | 5 7/8  | 710008    |
| Lid for 710008                    | 19 5/8               | 12 5/8 |        |                        |        |        | 710118    |

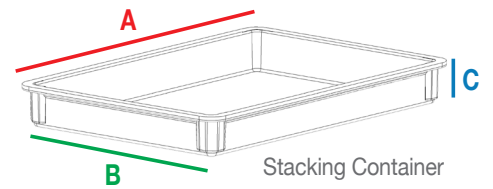
**Standard Colors: Blue, Gray, Green, White**



**MOLDED FIBER GLASS TRAY**  
PH 814 683.4500 or 800 458.6050  
FX 814 683.4504 [www.mfgtray.com](http://www.mfgtray.com)

# Stacking Containers

- Ideal for forgings, machined parts, stampings, ceramics, rubber, and other hot parts emerging from molds or processing machines
- Easily cleaned in hot water or steam with standard detergents
- Impervious to standard cutting oils, grease and solvents



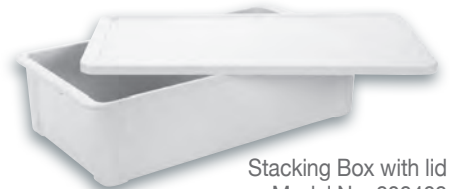
Stacking Box  
Model No. 804008



Stacking Box  
Model No. 819008



Stacking Box with lid  
Model No. 808208



Stacking Box with lid  
Model No. 808408



Stacking Boxes  
Model No. 808208, 808308 and 808408

| Product Name                              | Top Outside (inches) |        |       | Bottom Inside (inches) |        |        | Model No. |
|---|----------------------|--------|-------|------------------------|--------|--------|-----------|
|   | A                    | B      | C     | A                      | B      | C      |           |
| Stacking Box                              | 24 1/2               | 21 1/4 | 2 5/8 | 23 3/8                 | 20 1/8 | 2 5/8  | 220008    |
| Stacking Box                              | 27                   | 21     | 2 5/8 | 26                     | 20     | 2 5/8  | 221008    |
| Stacking Box                              | 31 3/4               | 19 1/8 | 4 1/2 | 29 3/4                 | 18     | 4      | 800108    |
| Stacking Box                              | 20 5/8               | 11 1/4 | 5 1/2 | 18                     | 10     | 5 3/8  | 801108    |
| Lid for 801108                            | 20 1/8               | 11 1/4 | 5/8   |                        |        |        | 801111    |
| Stacking Box                              | 16 1/2               | 11 3/8 | 4 5/8 | 14 5/8                 | 10 1/2 | 4 1/2  | 802008    |
| Stacking Box                              | 18 3/4               | 11 7/8 | 1 3/4 | 17                     | 11     | 1 5/8  | 804008    |
| Stacking Box                              | 30 3/8               | 15 7/8 | 2 3/4 | 29 5/8                 | 15 1/8 | 2 5/8  | 805108    |
| Stacking Tray                             | 25 3/4               | 17 3/4 | 1 1/8 | 24 3/4                 | 16 3/4 | 1      | 806001    |
| Stacking Box                              | 18 1/2               | 12 1/2 | 1/4   | 18                     | 12     | 1/8    | 807001    |
| Stacking Box                              | 22                   | 12     | 1 1/4 | 21 1/8                 | 11 1/8 | 1 1/4  | 808108    |
| Stacking Box                              | 23 3/8               | 12     | 3 1/8 | 21 1/8                 | 11 1/8 | 3      | 808208    |
| Stacking Box                              | 23 3/8               | 12     | 6     | 21                     | 11     | 5 7/8  | 808308    |
| Stacking Box                              | 23 3/8               | 12     | 4 3/8 | 21                     | 11     | 4 1/4  | 808408    |
| Lid for 808108, 808208, 808308 and 808408 |                      |        |       |                        |        |        | 808218    |
| Stacking Tray                             | 18                   | 16     | 1/2   | 17 1/4                 | 15 1/4 | 3/8    | 810008    |
| Stacking Box                              | 22 1/8               | 10 5/8 | 8     | 18 3/4                 | 8 3/4  | 7 3/4  | 811108    |
| Stacking Box                              | 16 7/8               | 9 1/2  | 6 1/4 | 14 5/8                 | 7 3/4  | 6 1/8  | 812108    |
| Stacking Box                              | 20 3/4               | 11 1/4 | 3 1/4 | 18 7/8                 | 9 1/2  | 3 1/4  | 814108    |
| Stacking Box                              | 20 3/4               | 11 1/4 | 5     | 18 1/2                 | 9 3/4  | 4 7/8  | 814208    |
| Stacking Box                              | 25 3/4               | 15 3/4 | 7 1/4 | 23 1/2                 | 14     | 7 1/8  | 814308    |
| Stacking Box                              | 33 1/8               | 15 5/8 | 8     | 30 3/4                 | 14 1/4 | 7 7/8  | 814408    |
| Stacking Box                              | 13                   | 10 1/2 | 5     | 10 5/8                 | 8 5/8  | 4 7/8  | 814608    |
| Stacking Box                              | 20 3/4               | 11 1/4 | 2 3/8 | 18 5/8                 | 9 3/4  | 2 1/4  | 814708    |
| Stacking Box                              | 29                   | 25     | 5     | 28 1/4                 | 24 1/4 | 4 7/8  | 815008    |
| Stacking Box                              | 17 1/2               | 17 1/2 | 4 1/2 | 15 5/8                 | 16     | 4 3/8  | 817008    |
| Stacking Box                              | 34 1/4               | 32 1/4 | 2 3/4 | 33 1/2                 | 31 1/2 | 2 5/8  | 818001    |
| Stacking Box                              | 17 3/4               | 10 1/2 | 4 1/8 | 15 5/8                 | 9 1/2  | 4      | 819008    |
| Stacking Tray                             | 23                   | 16 3/4 | 1 1/8 | 21 3/8                 | 15 1/2 | 1      | 820108    |
| Stacking Box                              | 14 3/4               | 14 3/8 | 3 1/2 | 12 7/8                 | 12 7/8 | 3 3/8  | 825008    |
| Stacking Box                              | 27 1/4               | 12 1/2 | 5 3/4 | 23 1/4                 | 10 1/2 | 5 1/2  | 828008    |
| Stacking Box                              | 37 1/2               | 24 1/4 | 19    | 35 1/4                 | 19 1/4 | 18 1/2 | 841108    |
| Stacking Box                              | 37 1/2               | 24 1/4 | 9 1/2 | 35                     | 19     | 8 1/8  | 841208    |
| Stacking Box                              | 27 1/8               | 12     | 2 7/8 | 24 1/4                 | 11 1/8 | 2 5/8  | 846108    |
| Stacking Box                              | 27 1/8               | 12     | 6 7/8 | 24                     | 10 7/8 | 6 5/8  | 846208    |
| Stacking Tray                             | 26                   | 20     | 1 1/2 | 25 3/8                 | 19 3/8 | 1 3/8  | 848008    |

**Standard Colors: Blue, Gray, Green, White**





Model No. 887008 lid, 870008, 875008, 880008 and 870148 dolly



Model No. 870008



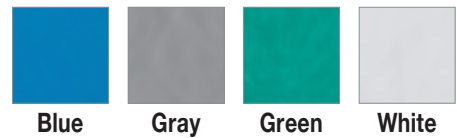
**Handles the heat.** Operating temperature range of -60° to 250° F (-51° to 121° C) enables MFG Tray products to readily handle forgings, castings and other end products processed with heat.



**Strength and stability.** Composite construction ensures unit strength and stacking stability without sag or distortion.

| Product Name                      | Top Outside (inches) |        |       | Bottom Inside (inches) |        |        | Model No. |
|-----------------------------------|----------------------|--------|-------|------------------------|--------|--------|-----------|
|                                   | A                    | B      | C     | A                      | B      | C      |           |
| Stacking Box                      | 28                   | 28     | 12    | 24 5/8                 | 24 5/8 | 11 3/4 | 865008    |
| Stacking Box                      | 30                   | 17 3/4 | 2 1/4 | 26 1/2                 | 16     | 1 7/8  | 867008    |
| Stacking Box                      | 25 3/4               | 17 3/4 | 3     | 23 7/8                 | 15 7/8 | 2 7/8  | 870008    |
| Stacking Box                      | 22                   | 11 1/2 | 4 1/4 | 20 1/8                 | 10 1/2 | 4 1/8  | 871008    |
| Stacking Box                      | 23                   | 19     | 9 5/8 | 21 5/8                 | 17 5/8 | 9 1/2  | 872008    |
| Stacking Box                      | 36                   | 24     | 5     | 35 1/8                 | 23 1/8 | 4 5/8  | 874001    |
| Stacking Box                      | 25 3/4               | 17 3/4 | 4 1/2 | 23 7/8                 | 15 7/8 | 4 1/2  | 875008    |
| Stacking Box                      | 25 3/4               | 17 3/4 | 6     | 23 7/8                 | 15 7/8 | 5 3/4  | 880008    |
| Lid for 870008, 875008 and 880008 |                      |        |       |                        |        |        | 887008    |
| Stacking Box                      | 25                   | 20     | 3     | 23                     | 18 1/2 | 2 7/8  | 893008    |
| Stacking Box                      | 28                   | 20     | 3     | 26                     | 18 1/2 | 2 7/8  | 893108    |
| Stacking Box/drop sides           | 35 3/4               | 19 3/4 | 3 3/4 | 34                     | 17 7/8 | 3 1/2  | 894008    |
| Stacking Box                      | 29                   | 18     | 2     | 25 7/8                 | 16 7/8 | 1 7/8  | 895008    |
| Stacking Box                      | 30 1/2               | 20 1/2 | 3 1/2 | 28 3/4                 | 18 3/4 | 3 3/8  | 896108    |
| Stacking Box                      | 30 1/2               | 20 1/2 | 6 1/4 | 28 3/4                 | 18 3/4 | 6      | 897108    |
| Stacking Box                      | 30 1/2               | 20 1/2 | 7 1/2 | 28 3/4                 | 18 3/4 | 7 3/8  | 898108    |
| Stacking Box                      | 28 1/4               | 20     | 3     | 26 3/8                 | 18     | 2 7/8  | 899108    |
| Stacking Box                      | 28 1/4               | 20     | 10    | 26 1/4                 | 18     | 9 3/4  | 899208    |
| Stacking Box                      | 28 1/4               | 20     | 10    | 26 1/4                 | 18     | 9 3/4  | 899408    |
| Assembly of 899108 and 899408     |                      |        |       |                        |        |        | 899808    |

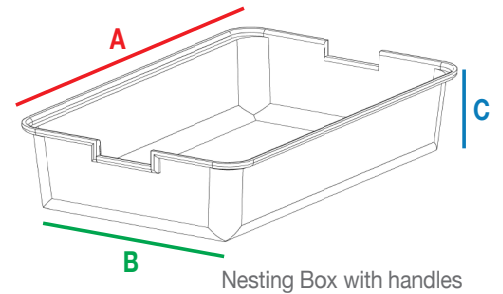
**Standard Colors: Blue, Gray, Green, White**



**MOLDED FIBER GLASS TRAY**  
 PH 814 683.4500 or 800 458.6050  
 FX 814 683.4504 www.mfgtray.com

# Nesting Containers

- Available in a variety of designs to function as drawers, trays, pans and containers
- Optional lids on certain models for stacking and parts protection



| Product Name | Top Outside (inches) |    |       | Bottom Inside (inches) |       |       | Model No. |
|--------------|----------------------|----|-------|------------------------|-------|-------|-----------|
|              | A                    | B  | C     | A                      | B     | C     |           |
| Nesting Box  | 18                   | 7  | 5     | 15 3/8                 | 4 3/4 | 4 3/4 | 110108    |
| Nesting Box  | 24                   | 8  | 6     | 21 1/8                 | 4 3/4 | 5 3/8 | 110208    |
| Nesting Box  | 30                   | 8  | 6     | 27 3/8                 | 4 3/4 | 5 3/4 | 110308    |
| Nesting Box  | 36                   | 8  | 6     | 31 1/4                 | 4 3/4 | 5 3/4 | 110408    |
| Nesting Box  | 21 1/2               | 11 | 2 1/2 | 20                     | 9 5/8 | 2 1/8 | 110508    |

**Standard Colors: Gray, Green, White**

|              |        |        |       |        |        |       |        |
|--------------|--------|--------|-------|--------|--------|-------|--------|
| Nesting Box  | 21 1/4 | 15     | 5     | 18 1/8 | 13 1/8 | 4 7/8 | 330008 |
| Lid          | 21 1/4 | 15     | 3/8   | 18 3/4 | 14     | 1/4   | 330118 |
| Nesting Box  | 20 1/4 | 12     | 5     | 17 3/4 | 10 3/8 | 4 7/8 | 331008 |
| Nesting Box  | 20 3/4 | 15 3/8 | 5     | 17 7/8 | 13 5/8 | 4 7/8 | 336001 |
| Nesting Tray | 20 3/4 | 12 3/4 | 2 1/2 | 17 1/2 | 9 1/2  | 2     | 344008 |

**Standard Colors: Blue, Gray, Green, White**

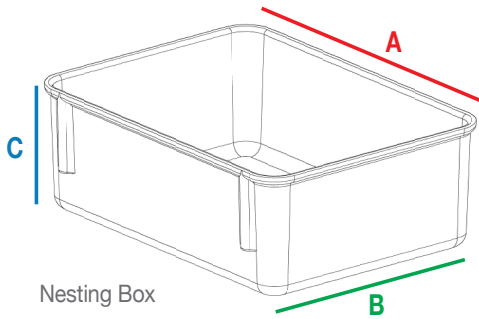
|             |        |        |       |        |        |       |        |
|-------------|--------|--------|-------|--------|--------|-------|--------|
| Nesting Box | 19 1/2 | 13 1/2 | 4 1/8 | 18 1/8 | 11 1/2 | 4     | 500008 |
| Nesting Box | 19 1/2 | 12 1/2 | 4 1/8 | 18 1/8 | 10 1/2 | 4     | 502008 |
| Nesting Box | 19 1/2 | 7 1/2  | 4 1/8 | 18 1/8 | 5 1/2  | 4     | 503008 |
| Nesting Box | 19 1/2 | 13 1/2 | 4 1/2 | 18 1/8 | 11 1/2 | 4     | 504008 |
| Nesting Box | 19 1/2 | 9 1/2  | 4 1/8 | 18 1/8 | 7 1/2  | 4     | 505008 |
| Nesting Box | 19 1/2 | 13 1/2 | 4     | 18 1/4 | 11 3/8 | 3 7/8 | 506008 |
| Nesting Box | 19     | 7 1/2  | 4     | 17 3/4 | 5 3/8  | 3 7/8 | 507008 |
| Nesting Box | 20     | 15 7/8 | 4 1/2 | 18 1/8 | 14 5/8 | 4 1/8 | 508108 |
| Nesting Box | 13 1/4 | 12 1/2 | 3 1/2 | 12 1/8 | 10 5/8 | 3 3/8 | 509008 |

**Standard Colors: Beige, Gray, White**

|                        |        |        |        |        |        |        |        |
|------------------------|--------|--------|--------|--------|--------|--------|--------|
| Nesting Box            | 37 1/4 | 18     | 3 7/8  | 36     | 16 3/4 | 3 3/4  | 900001 |
| Nesting Box            | 17     | 11     | 5      | 14 1/4 | 9 5/8  | 4 7/8  | 902008 |
| Nesting Box            | 16 1/2 | 12     | 10     | 14 7/8 | 10 3/8 | 9 7/8  | 903108 |
| Lid for 903108         | 16 1/2 | 12     |        |        |        |        | 903118 |
| Nesting Box            | 16     | 11 1/2 | 4      | 14 3/4 | 10 3/8 | 3 7/8  | 903208 |
| Nesting Box            | 22     | 16 1/2 | 8 1/2  | 19 1/4 | 14 5/8 | 8 3/8  | 908208 |
| Nesting Box            | 23 1/4 | 17 1/4 | 10 3/8 | 21 3/8 | 15 3/4 | 10 1/4 | 911001 |
| Nesting Box            | 22 5/8 | 17 1/4 | 14     | 20 1/2 | 15     | 13 7/8 | 912108 |
| Lid for 912108, 912208 | 23     | 17 5/8 |        |        |        |        | 912118 |
| Nesting Box            | 22 3/8 | 17     | 10     | 20 1/2 | 15     | 9 7/8  | 912208 |
| Nesting Box            | 20 1/2 | 17     | 10 3/8 | 17 1/4 | 14 3/4 | 10 3/8 | 919108 |
| Lid for 919108, 919208 | 20 1/2 | 17     |        |        |        |        | 919118 |
| Nesting Box            | 20 1/2 | 17     | 12     | 17 1/4 | 14 3/4 | 12     | 919208 |

**Standard Colors: Blue, Gray, Green, White**

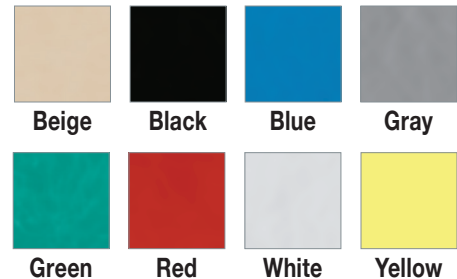




**Easy handling. Tough performers.** MFG Tray nesting containers combine impressive strength and in-service toughness with ease of handling and storage. Nesting design saves valuable floor and bench space and facilitates the movement of containers to work areas. Tough composite construction stands up to rigorous use year after year.

| Product Name           | Top Outside (inches) |        |        | Bottom Inside (inches) |        |       | Model No. |
|------------------------|----------------------|--------|--------|------------------------|--------|-------|-----------|
|                        | A                    | B      | C      | A                      | B      | C     |           |
| Nesting Box            | 11 3/4               | 8 3/4  | 4 1/8  | 11                     | 8      | 4     | 920108    |
| Lid for 920108         | 11 3/4               | 8 3/4  |        |                        |        |       | 920118    |
| Nesting Box            | 6 1/8                | 4 7/8  | 2 1/8  | 5 1/2                  | 4 1/4  | 2     | 921108    |
| Lid for 921108         | 6 1/8                | 4 7/8  |        |                        |        |       | 921118    |
| Nesting Box            | 9 3/4                | 6 1/8  | 2 1/8  | 8 7/8                  | 5 1/4  | 2     | 922108    |
| Lid for 922108, 926108 | 9 3/4                | 6 1/8  |        |                        |        |       | 922118    |
| Nesting Box            | 9 3/4                | 9 1/4  | 4 1/2  | 9                      | 8 3/8  | 4 3/8 | 923108    |
| Lid for 923108, 924108 | 9 3/4                | 9 1/4  |        |                        |        |       | 923118    |
| Nesting Box            | 9 3/4                | 9 1/4  | 2 1/8  | 8 7/8                  | 8 3/8  | 2     | 924108    |
| Lid for 923108, 924108 | 9 3/8                | 9 1/4  |        |                        |        |       | 923118    |
| Nesting Box            | 20 1/2               | 17     | 10 3/8 | 17 7/8                 | 14 3/8 | 10    | 925108    |
| Nesting Box            | 9 3/4                | 6 1/8  | 4 1/2  | 9                      | 5 1/4  | 4 3/8 | 926108    |
| Lid for 922108, 926108 | 9 3/4                | 6 1/8  |        |                        |        |       | 922118    |
| Nesting Box            | 42                   | 18     | 5      | 40 1/4                 | 16 1/4 | 4 7/8 | 927008    |
| Nesting Box            | 26                   | 18     | 5      | 24 1/4                 | 16 1/4 | 4 7/8 | 928008    |
| Nesting Box            | 22                   | 16 1/2 | 4 1/4  | 19 1/8                 | 14 5/8 | 4     | 929008    |
| Nesting Box            | 12 3/8               | 9 3/4  | 2 1/8  | 11 1/2                 | 8 7/8  | 2     | 930108    |
| Lid for 930108         | 12 3/8               | 9 3/4  |        |                        |        |       | 930118    |
| Nesting Box            | 28 7/8               | 20 3/8 | 10     | 26 3/4                 | 18     | 9 3/4 | 931008    |
| Nesting Box            | 11 3/8               | 9 1/4  | 3 3/8  | 10 3/8                 | 8 3/4  | 3 1/4 | 940108    |
| Lid for 940108         | 11 3/8               | 9 1/4  |        |                        |        |       | 940118    |

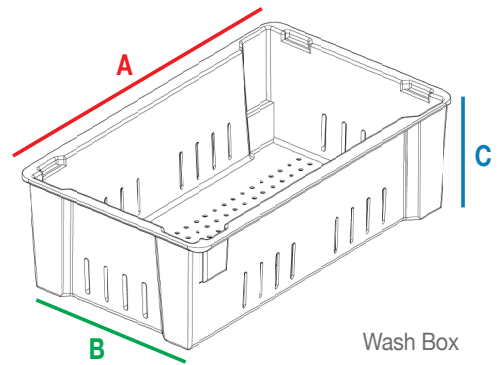
**Standard Colors: Black, Blue, Gray, Green, Red, White, Yellow**



**MOLDED FIBER GLASS TRAY**  
 PH 814 683.4500 or 800 458.6050  
 FX 814 683.4504 www.mfgtray.com

# Wash Boxes

- Stackable containers are impervious to washing chemicals and may be used continuously at operating temperatures to 250° F and intermittently to 300° F
- Each container handles up to 150 pounds payload
- Ideal for cleaning, storing and inventorying of small parts; easier on parts than metal
- Washing, draining and drying may be accomplished without parts transfer
- Holes are ¼" diameter; slots are 2 ½" x 5/16"; other hole sizes are available



Wash Box



Model No. 705248



Model No. 705148

## Wash Boxes – Nest & Stack Style

| Product Name     | Top Outside (inches) |        |       | Bottom Inside (inches) |        |       | Model No.   |
|------------------|----------------------|--------|-------|------------------------|--------|-------|-------------|
|                  | A                    | B      | C     | A                      | B      | C     |             |
| Nest & Stack Box | 17 7/8               | 11 1/4 | 6     | 15 5/8                 | 8 5/8  | 5 7/8 | 705348 1205 |
| Nest & Stack Box | 21 1/8               | 15 5/8 | 6     | 19 1/4                 | 13 5/8 | 5 7/8 | 705148 1206 |
| Nest & Stack Box | 24                   | 14 3/8 | 7 3/4 | 21 5/8                 | 11 5/8 | 7 5/8 | 705248 0945 |

**Standard Color: Gray**



Gray



**More efficient material handling and storage.** MFG Tray wash boxes offer the versatility to be used for cleaning, inventory and storage of small parts, and often eliminate the need for dumping product into special containers for the washing process.



**Kinder than metal.** Composite containers are easier on end products than metal baskets and eliminate the damage or hazard posed by broken wire baskets.



**Easy does it.** Side slots and holes in the bottom ensure thorough rinsing and draining. Contour design with rounded corners eliminates the safety hazards inherent with sharp metal containers.

## Wash Boxes – Stacking Style

| Product Name | Top Outside (inches) |        |       | Bottom Inside (inches) |        |       | Model No.   |
|--------------|----------------------|--------|-------|------------------------|--------|-------|-------------|
|              | A                    | B      | C     | A                      | B      | C     |             |
| Stacking Box | 16 1/2               | 11 3/8 | 4 5/8 | 14 5/8                 | 10 1/2 | 4 1/2 | 802048 1148 |
| Stacking Box | 17 3/4               | 10 1/2 | 4 1/8 | 15 5/8                 | 9 1/2  | 4     | 819048 2585 |
| Stacking Box | 20 5/8               | 11 1/4 | 5 1/2 | 18                     | 10     | 5 3/8 | 801148 1204 |
| Stacking Box | 20 3/4               | 11 1/4 | 5     | 18 1/2                 | 9 3/4  | 4 7/8 | 814248 1207 |
| Stacking Box | 23 3/8               | 12     | 4 3/8 | 21                     | 11     | 4 1/4 | 808448 2735 |
| Stacking Box | 23 3/8               | 12     | 6     | 21                     | 11     | 5 7/8 | 808348 1203 |
| Stacking Box | 25 3/4               | 17 3/4 | 4 1/2 | 23 7/8                 | 15 7/8 | 4 1/2 | 875048 1153 |

**Standard Color: Gray**



Gray



Model No. 802048



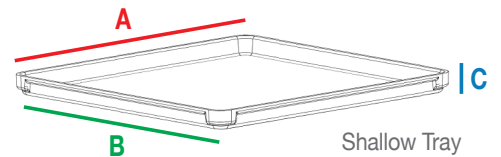
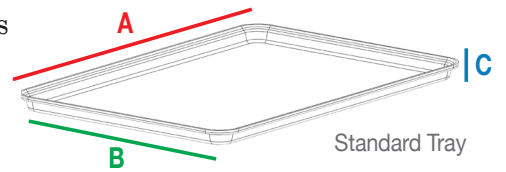
Model No. 819048  
Special Order Green



**MOLDED FIBER GLASS TRAY**  
PH 814 683.4500 or 800 458.6050  
FX 814 683.4504 www.mfgtray.com

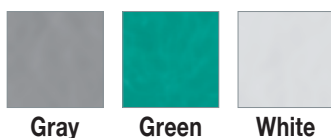
# Conveyor and Assembly Trays

- Low profile and radius edges facilitate use with conveyors and racks
- Exceptional temperature compatibility
- Wide variety of sizes and configurations to accommodate a range of operating requirements



| Product Name | Top Outside (inches) |        |       | Bottom Inside (inches) |        |       | Model No. |
|--------------|----------------------|--------|-------|------------------------|--------|-------|-----------|
|              | A                    | B      | C     | A                      | B      | C     |           |
| Tray         | 24 1/2               | 21 1/8 | 1     | 23 1/2                 | 20 3/8 | 7/8   | 204101    |
| Tray         | 25 1/2               | 22 1/2 | 1     | 24 1/2                 | 21 3/4 | 7/8   | 205101    |
| Tray         | 24 1/2               | 22 1/2 | 1     | 23 1/2                 | 21 3/4 | 7/8   | 206101    |
| Tray         | 27 7/8               | 22 3/8 | 1     | 26 7/8                 | 21 3/4 | 7/8   | 207101    |
| Tray         | 23 1/4               | 20 3/8 | 1     | 22 5/8                 | 19 1/4 | 7/8   | 208101    |
| Tray         | 24 1/2               | 21 1/2 | 1     | 23 1/2                 | 20 3/4 | 7/8   | 209101    |
| Tray         | 27                   | 21     | 1     | 26                     | 20 1/4 | 7/8   | 210101    |
| Tray         | 26 1/4               | 22     | 1     | 25 1/4                 | 21 1/4 | 7/8   | 211101    |
| Tray         | 28                   | 21 1/2 | 1     | 27                     | 20 3/4 | 7/8   | 212101    |
| Tray         | 26 1/4               | 23     | 1     | 25 1/4                 | 22 1/4 | 7/8   | 213101    |
| Tray         | 24 1/2               | 23     | 1     | 23 1/2                 | 22 1/4 | 7/8   | 214101    |
| Tray         | 34 1/4               | 21 3/8 | 1     | 33 1/4                 | 20 5/8 | 7/8   | 215101    |
| Tray         | 27                   | 20     | 1     | 26                     | 19 1/4 | 7/8   | 217101    |
| Tray         | 22 1/2               | 20     | 1     | 21 3/8                 | 19 1/4 | 7/8   | 218101    |
| Pallet       | 22                   | 22     | 3/4   | 20 7/8                 | 20 7/8 | 5/8   | 228008    |
| Tray         | 16 3/8               | 12     | 1     | 15                     | 10 1/2 | 5/8   | 302001    |
| Tray         | 13 1/4               | 10 5/8 | 1     | 12 1/2                 | 9 1/8  | 5/8   | 303001    |
| Tray         | 20 3/8               | 15 1/8 | 1     | 18 3/8                 | 13 1/4 | 3/4   | 304001    |
| Tray         | 21 7/8               | 16     | 1     | 20 3/8                 | 14 3/8 | 3/4   | 305001    |
| Tray         | 22 1/2               | 16 1/2 | 1     | 20 7/8                 | 14 3/4 | 3/4   | 308001    |
| Tray         | 18                   | 14     | 1     | 16 1/2                 | 12 1/2 | 3/4   | 318001    |
| Tray         | 18                   | 14     | 5/8   | 16 3/4                 | 12 3/4 | 1/2   | 321001    |
| Tray         | 12 3/4               | 10 1/2 | 5/8   | 11 3/8                 | 9      | 1/2   | 322601    |
| Tray         | 20 7/8               | 12 3/4 | 5/8   | 19 3/8                 | 11 3/8 | 1/2   | 325301    |
| Tray         | 21 1/4               | 15     | 3/8   | 18 3/4                 | 14     | 1/4   | 330111    |
| Tray         | 25 3/4               | 17 7/8 | 1 1/8 | 24 3/8                 | 16 1/4 | 1     | 332001    |
| Tray         | 25 3/4               | 8 3/4  | 1 1/8 | 24 3/8                 | 7 1/2  | 1     | 333001    |
| Tray         | 17 3/4               | 11 3/4 | 1     | 16 1/8                 | 10 3/4 | 7/8   | 334001    |
| Tray         | 17 3/4               | 9      | 1     | 16 1/8                 | 7 3/4  | 7/8   | 335001    |
| Tray         | 24                   | 12 5/8 | 3/4   | 22 3/4                 | 11 1/4 | 5/8   | 337001    |
| Tray         | 27                   | 12 1/2 | 3/4   | 25 3/4                 | 11 1/8 | 5/8   | 338001    |
| Tray         | 16                   | 6      | 1     | 14 1/2                 | 4 1/2  | 7/8   | 356008    |
| Tray         | 19 1/2               | 10 1/2 | 1 1/4 | 18 1/2                 | 9 1/2  | 1 1/8 | 358108    |

Standard Colors: Gray, Green, White



Model No. 217101

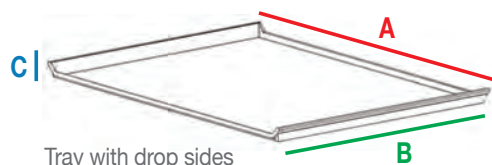


Model No. 228008



**Utility players.** MFG Tray conveyor and assembly trays are available in a range of sizes to easily accommodate automated conveyors. Smooth, rounded edges and balanced, ergonomic design ensure stable handling.

## Corner Profiles



Profiles A and B do not nest or stack. Best used in a rack system or on a conveyor line. Profile C nests partially or completely within another. Profile D stacks.



Model No. 638008



Model No. 642008



Model No. 337001



Model No. 338001

| Product Name           | Top Outside (inches) |        |       | Bottom Inside (inches) |        |       | Corner Profile | Model No. |
|------------------------|----------------------|--------|-------|------------------------|--------|-------|----------------|-----------|
|                        | A                    | B      | C     | A                      | B      | C     |                |           |
| Tray with drop ends    | 29 7/8               | 23 7/8 | 1 1/2 | 28 7/8                 | 22 7/8 | 1 3/8 | D              | 600008    |
| Tray with drop sides   | 29 7/8               | 23 7/8 | 2     | 28 7/8                 | 22 7/8 | 1 7/8 | D              | 600108    |
| Tray with drop sides   | 23 7/8               | 14 7/8 | 1 3/8 | 22 7/8                 | 13 7/8 | 1 1/4 | D              | 600208    |
| Tray with drop end     | 29 7/8               | 23 7/8 | 2     | 28 7/8                 | 22 7/8 | 1 7/8 | D              | 600308    |
| Tray                   | 26                   | 26     | 1 1/4 | 25 1/8                 | 25 1/8 | 1     | A              | 601101    |
| Tray                   | 24 1/4               | 24 1/4 | 1 7/8 | 23 1/4                 | 23 1/4 | 1 3/4 | A              | 602101    |
| Tray                   | 36 1/2               | 24 3/4 | 1 1/2 | 35 1/2                 | 23 1/4 | 1 3/4 | A              | 603101    |
| Tray                   | 30                   | 30     | 1 1/4 | 29 1/8                 | 29 1/8 | 1 1/8 | B              | 604201    |
| Tray                   | 35 7/8               | 23 1/2 | 1 1/2 | 35                     | 22 5/8 | 1 3/8 | B              | 605001    |
| Tray                   | 25 1/4               | 19 1/4 | 1 1/8 | 23 1/2                 | 17 1/2 | 1 1/8 | C              | 606101    |
| Tray                   | 25 3/4               | 13 5/8 | 1 1/4 | 24 1/2                 | 12 3/8 | 1 1/8 | C              | 607001    |
| Tray                   | 30                   | 20     | 2     | 28 5/8                 | 18 5/8 | 1 7/8 | C              | 608101    |
| Tray                   | 47 5/8               | 23 7/8 | 2 1/4 | 46 3/4                 | 22 7/8 | 2     | B              | 609001    |
| Tray                   | 36 1/2               | 17 1/2 | 1 5/8 | 35 5/8                 | 16 5/8 | 1 1/2 | A              | 610001    |
| Tray                   | 24 1/4               | 20 1/4 | 1 1/2 | 23 3/8                 | 19 3/8 | 1 3/8 | A              | 611001    |
| Tray                   | 28                   | 28     | 1 1/2 | 27 1/8                 | 27 1/8 | 1 3/8 | B              | 612001    |
| Tray                   | 7 1/2                | 7 1/2  | 1/2   | 7 3/8                  | 7 3/8  | 3/8   | A              | 613008    |
| Tray                   | 39 1/2               | 19 1/2 | 2     | 38 5/8                 | 18 5/8 | 1 7/8 | D              | 614001    |
| Tray                   | 30                   | 26     | 1 1/4 | 29 1/8                 | 25 1/8 | 1 1/8 | A              | 615001    |
| Tray                   | 30 1/2               | 24 1/2 | 1 7/8 | 29 5/8                 | 23 5/8 | 1 5/8 | A              | 617001    |
| Tray                   | 39                   | 19     | 2     | 38 1/8                 | 18 1/8 | 1 7/8 | B              | 618001    |
| Tray                   | 40                   | 28     | 1 1/2 | 39 1/8                 | 27 1/8 | 1 3/8 | B              | 619001    |
| Tray                   | 32                   | 18     | 1 1/4 | 31 1/8                 | 17 1/8 | 1 1/8 | B              | 620001    |
| Tray                   | 30                   | 28     | 1 1/2 | 29 1/8                 | 27 1/8 | 1 3/8 | B              | 621001    |
| Tray                   | 20 5/8               | 16 5/8 | 1 1/2 | 18 1/8                 | 14 1/8 | 1 3/8 | C              | 622001    |
| Tray                   | 31                   | 25     | 2 3/4 | 29 1/8                 | 23 1/8 | 2 5/8 | D              | 624008    |
| Tray                   | 24 1/4               | 20 1/4 | 1 1/8 | 23 1/4                 | 19 1/4 | 1     | C              | 626001    |
| Tray                   | 31                   | 26     | 1 5/8 | 30                     | 24 7/8 | 1 1/2 | D              | 627001    |
| Tray                   | 22 1/2               | 14 1/2 | 2     | 20 3/8                 | 12 3/8 | 1 7/8 | D              | 628001    |
| Tray                   | 19 1/2               | 19 1/2 | 1 1/4 | 18 1/2                 | 18 1/2 | 1 1/8 | D              | 629008    |
| Tray with drop ends    | 24 1/4               | 24 1/4 | 2 1/4 | 23 1/4                 | 23 1/4 | 2 1/8 |                | 630101    |
| Tray with drop ends    | 32 3/4               | 24 3/4 | 1 1/2 | 31 5/8                 | 22 1/2 | 1 3/8 |                | 633001    |
| Tray with drop sides   | 24                   | 12     | 2 3/4 | 23 1/8                 | 11 1/8 | 2 3/4 |                | 634008    |
| Tray                   | 22 7/8               | 15 1/2 | 1 1/4 | 21 7/8                 | 14 1/2 | 1 1/8 |                | 636008    |
| Tray                   | 19 1/4               | 19 1/4 | 2     | 17 7/8                 | 17     | 1 7/8 |                | 638008    |
| Tray with drop end     | 32                   | 24     | 1 3/4 | 30                     | 22 1/8 | 1 5/8 |                | 641008    |
| Tray with 4 drop sides | 30                   | 24     | 1 3/8 | 29 1/4                 | 23 1/8 | 1 1/4 |                | 642008    |
| Tray                   | 20 1/8               | 11 1/4 | 5/8   | 18 1/8                 | 10     | 3/8   |                | 801111    |
| Tray                   | 16 1/2               | 12     | 5/8   | 15 3/8                 | 10 7/8 | 3/8   |                | 903111    |
| Tray                   | 20 1/2               | 17     | 5/8   | 19 3/8                 | 15 3/4 | 3/8   |                | 919111    |

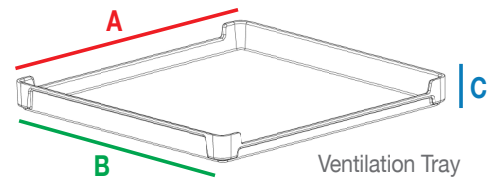
Standard Colors: Gray, Green, White



MOLDED FIBER GLASS TRAY  
PH 814 683.4500 or 800 458.6050  
FX 814 683.4504 www.mfgtray.com

# Ventilation Trays

- Stacking ventilation trays optimize air flow and reduce drying/cooling times
- Variety of depths offered to accommodate a range of part sizes
- Inherent strength enables trays to be stacked without bending or sagging



| Product Name              | Top Outside (inches) |        |       | Bottom Inside (inches) |        |       | Model No. |
|---------------------------|----------------------|--------|-------|------------------------|--------|-------|-----------|
|                           | A                    | B      | C     | A                      | B      | C     |           |
| Stacking Box, vent        | 21 3/8               | 21 3/8 | 2     | 20 3/8                 | 20 3/8 | 1 7/8 | 203108    |
| Stacking Box, vent        | 21 3/8               | 21 3/8 | 3 1/8 | 20 3/8                 | 20 3/8 | 3 1/8 | 203208    |
| Tray with drop ends       | 29 7/8               | 23 7/8 | 1 1/2 | 28 7/8                 | 22 7/8 | 1 3/8 | 600008    |
| Tray with drop sides      | 29 7/8               | 23 7/8 | 2     | 28 7/8                 | 22 7/8 | 1 7/8 | 600108    |
| Tray with drop sides      | 23 7/8               | 14 7/8 | 1 3/8 | 22 7/8                 | 13 7/8 | 1 1/4 | 600208    |
| Tray with drop end        | 29 7/8               | 23 7/8 | 2     | 28 7/8                 | 22 7/8 | 1 7/8 | 600308    |
| Tray with drop end        | 29 7/8               | 23 7/8 | 1     | 28 7/8                 | 23 7/8 | 7/8   | 600408    |
| Tray with drop ends       | 24 1/4               | 24 1/4 | 2 1/4 | 23 1/4                 | 23 1/4 | 2 1/8 | 630101    |
| Tray with drop ends       | 32 3/4               | 24 3/4 | 1 1/2 | 31 5/8                 | 22 1/2 | 1 3/8 | 633001    |
| Tray with drop sides      | 24                   | 12     | 2 3/4 | 23 1/8                 | 11 1/8 | 2 3/4 | 634008    |
| Tray with drop end        | 32                   | 24     | 1 3/4 | 30                     | 22 1/8 | 1 5/8 | 641008    |
| Tray, drop ends and sides | 30                   | 24     | 1 3/8 | 29 1/4                 | 23 1/8 | 1 1/4 | 642008    |
| Stacking Box, drop sides  | 30 3/8               | 15 7/8 | 2 7/8 | 29 7/8                 | 15 1/8 | 2 5/8 | 805208    |
| Stacking Box, drop sides  | 30 3/8               | 15 7/8 | 4 1/8 | 29 5/8                 | 15 1/8 | 4     | 805308    |
| Stacking Box, drop sides  | 30 3/8               | 15 7/8 | 3 5/8 | 29 5/8                 | 15 1/8 | 3 1/2 | 805508    |
| Stacking Box, drop sides  | 31 7/8               | 15     | 2     | 31                     | 14 1/8 | 1 7/8 | 816001    |
| Stacking Box, drop sides  | 25 3/4               | 17 3/4 | 3     | 23 7/8                 | 15 7/8 | 2 7/8 | 870308    |

Standard Colors: Gray, Green, White



Stacking Boxes, drop sides  
Model No. 805208



Stacking Box, drop sides  
Model No. 805508



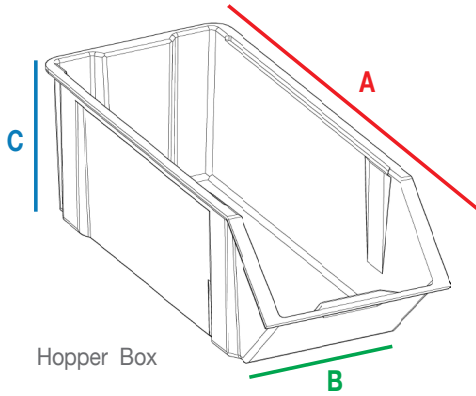
Trays, with drop ends  
Model No. 641008



**Functional design. Versatile applications.** MFG Tray ventilation trays are expressly designed to facilitate parts drying by encouraging airflow across their low-profile sides. The trays are inherently strong and can be readily stacked without sagging or bending, saving valuable floor space and ensuring ease of handling. Rounded interior corners will not trap residue, and composite surfaces are easily cleaned. Wide temperature compatibility makes them an ideal choice for an array of food service, industrial and processing applications.



# Hoppers



Hopper Box

- Bin and hopper box designs serve as ideal storage containers for small parts, components and prepackaged goods
- Composite material won't corrode, bend or potentially contaminate product

| Product Name        | Top Outside (inches)           |    |                               | Bottom Inside (inches)         |                               |                               | Model No. |
|---------------------|--------------------------------|----|-------------------------------|--------------------------------|-------------------------------|-------------------------------|-----------|
|                     | A                              | B  | C                             | A                              | B                             | C                             |           |
| Stacking Hopper Box | 24                             | 10 | 8                             | 18 <sup>3</sup> / <sub>4</sub> | 8 <sup>1</sup> / <sub>8</sub> | 7 <sup>7</sup> / <sub>8</sub> | 842008    |
| Hopper Front        | 10                             | 6  | 2 <sup>7</sup> / <sub>8</sub> | 9                              | 5 <sup>1</sup> / <sub>2</sub> | 2 <sup>3</sup> / <sub>4</sub> | 510108    |
| Lid for 510108      | 10                             | 6  |                               |                                |                               |                               | 510118    |
| Hopper Front        | 19 <sup>3</sup> / <sub>4</sub> | 6  | 2 <sup>7</sup> / <sub>8</sub> | 18 <sup>3</sup> / <sub>4</sub> | 5 <sup>1</sup> / <sub>2</sub> | 2 <sup>3</sup> / <sub>4</sub> | 510208    |
| Lid for 510208      | 19 <sup>3</sup> / <sub>4</sub> | 6  |                               |                                |                               |                               | 510208    |

**Standard Colors: Gray, White**



Stacking Hopper Box  
Model No. 842008



Hopper Front  
Model No. 510208



Hopper Front  
Model No. 510108

Hopper Front with lid  
Model No. 510108  
and 510118



**MOLDED FIBER GLASS TRAY**  
PH 814 683.4500 or 800 458.6050  
FX 814 683.4504 [www.mfgtray.com](http://www.mfgtray.com)

# Customized Trays and Fabrication Options

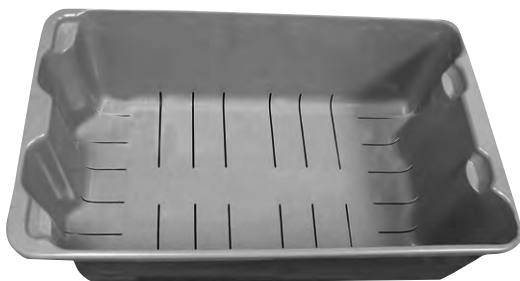
- Fabricated slots and holes can be added to trays and containers to secure parts for assembly
- Side or drop handles can be added for ease of transport and stacking
- Divider sets within shallow containers are ideal for part and component organization
- Stenciling and silk screening of containers is available to identify parts and/or departments
- Snap-on card holders available
- 3' x 6' flat sheets of composite material are available
- Handhold options include recesses, cut-outs, and reinforced handles



Drain Holes and Slots



Drop Handles



Slots



Flat Sheets



Holes



Divider Sets



**MOLDED FIBER GLASS TRAY**  
PH 814 683.4500 or 800 458.6050  
FX 814 683.4504 [www.mfgtray.com](http://www.mfgtray.com)

To learn more about  
**MFG Tray Material Handling Products**  
or to request a quote, please call  
**(814) 683-4500 or (800) 458-6050**

**BONDLINE**  
STATIC CONTROL SOLUTIONS  
www.bondline.com.au  
Tel: (02) 9757 3590



**MOLDED FIBER GLASS TRAY**  
6175 Route 6 • Linesville, PA 16424 USA

PH 814 683.4500 or 800 458.6050  
FX 814 683.4504 www.mfgtray.com



*A Molded Fiber Glass Company*